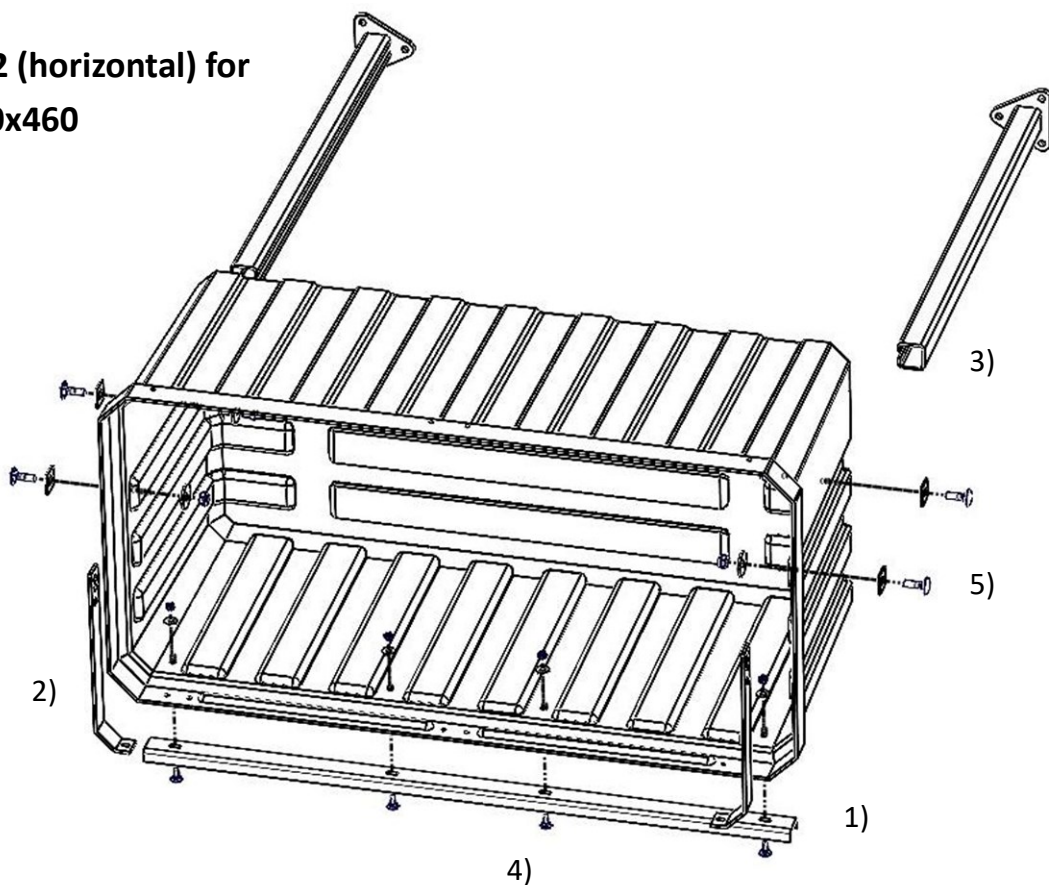


INSTALLATION INSTRUCTIONS

102809 Installation kit SL2 (horizontal) for
100450 Toolbox 1000x500x460
100458 Toolbox 1000 D



Pos.	Qty	Part	
1	1 x	U-profile 915mm	
2	2 x	L-bracket 275mm	
3	2 x	Stay C-profile 700mm Zn	
4	4 x		Square Neck Bolt M6x20
4	4 x		Nut Nyloc M6
4	4 x		Washer M6x18
5	4 x		Square Neck Bolt M10x30
5	4 x		Nut Nyloc M10
5	4 x		Washer M10x40
5	4 x		Washer 30x30 rectangular

